



Power One - V6 Series High Performance Sensorless Vector AC Drives/VFD



Power Range: 0.4~2.2kw 220V
0.4~800kw 380V

Specialize in Motor Control & Drives

Key Product Features:

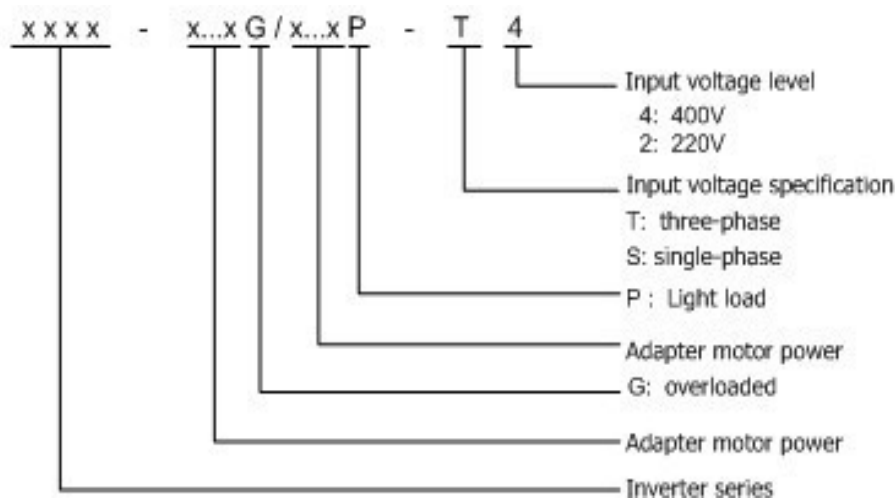
- 1) Dual-CPU with advanced control algorithm
- 2) Excellent braking function for hoist & Lift application
- 3) Wide voltage range: 310V~480V
- 4) Ambient temperature is upto 50°C
- 5) Built-in simple PLC functions
- 6) 16 Multi-Step speeds
- 7) Motor/Pump protection functions

Type & Specifications:

Nameplate

Model: V6-7R5G/11RP-T4	— Inverter model
Max Appli Motor: 7.5/11kW	— Max Motor Power
Input: AC3PH 380-460V 50/60Hz 26.5/36.6A	— Input specification
Output: AC3PH 0-460V 0-400Hz 17/24.6A	— Output specification
Operating Temperature: -10°C~50°C	— Ambient temperature
IP Protection: IP20 Mass:	— IP level/weight
S/N:	— Ex-Factory Series NO.

Type description of frequency inverter

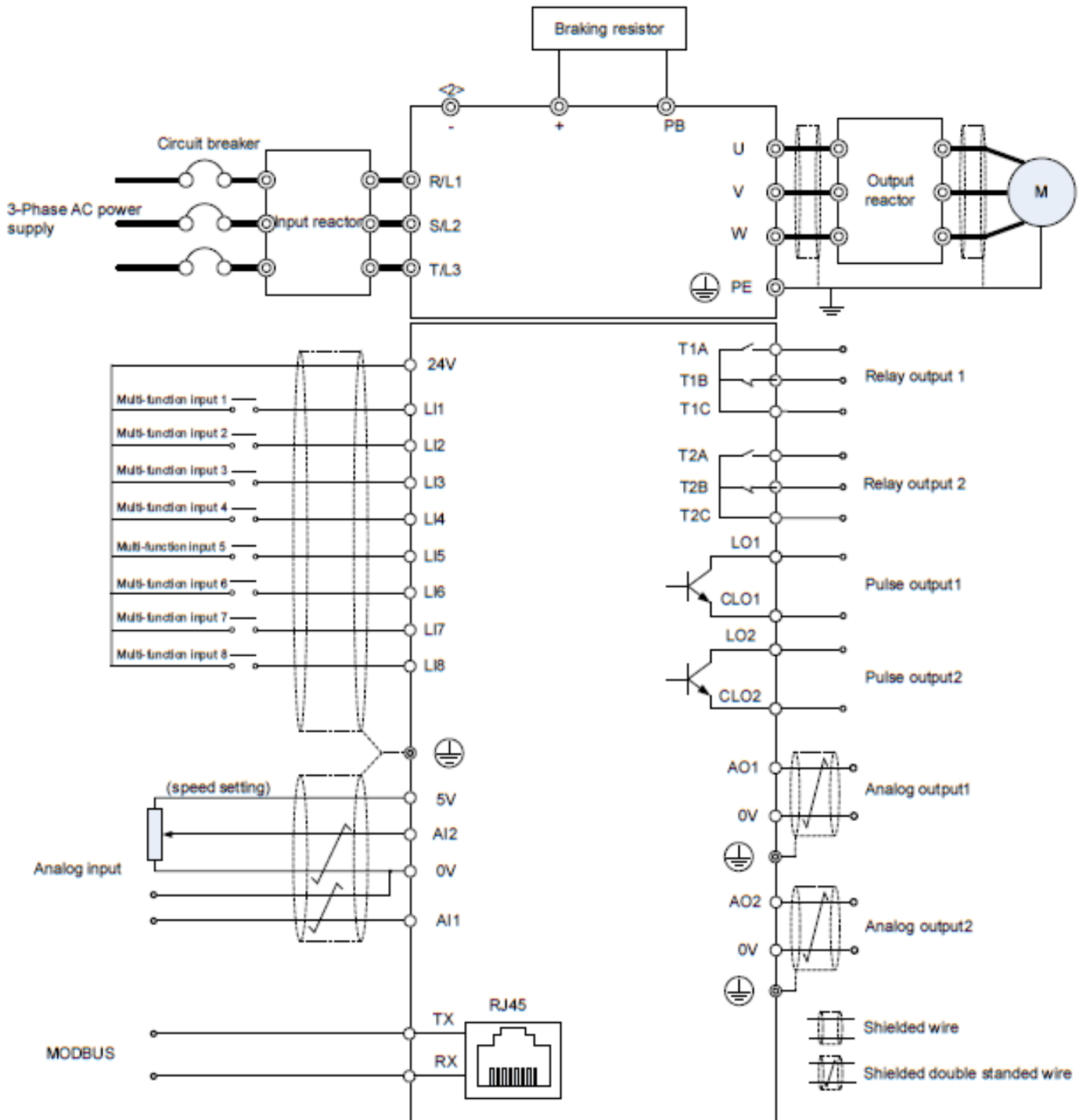


Type & Specifications:



Type	G type (overloaded)				P type (light load)			
	Motor power (kW)	Line current (A)	Rated output current (A)	Maximum transient current for 60s (A)	Motor power (kW)	Line current (A)	Rated output current (A)	Maximum transient current for 60s (A)
V6-0R75G/1R5P-T4	0.75	3.6	2.3	3.5	1.5	6.4	4.1	4.9
V6-1R5G/2R2P-T4	1.5	6.4	4.1	6.2	2.2	8.7	5.5	6.6
V6-2R2G/3RP-T4	2.2	8.7	5.5	8.3	3	10.9	6.9	8.3
V6-4RG/5R5P-T4	4	14	9.4	14.1	5.5	20.7	12.6	15.1
V6-5R5G/7R5P-T4	5.5	20.7	12.6	18.9	7.5	26.5	17	20.4
V6-7R5G/11RP-T4	7.5	26.5	17	25.5	11	36.6	24.6	29.5
V6-11RG/15RP-T4	11	36.6	24.6	37	15	40	32	38.4
V6-15RG/18R5P-T4	15	40	32	48	18.5	47	38	45.6
V6-18R5G/22RP-T4	18.5	47	38	57	22	56	45	54
V6-22RG/30RP-T4	22	56	45	68	30	70	60	72
V6-30RG/37RP-T4	30	70	60	90	37	80	75	90
V6-37RG/45RP-T4	37	80	75	113	45	94	92	110.4
V6-45RG/55RP-T4	45	94	92	138	55	128	115	138
V6-55RG/75RP-T4	55	128	115	173	75	160	150	180
V6-75RG/90RP-T4	75	160	150	225	90	190	180	216
V6-90RG/110RP-T4	90	190	180	270	110	225	215	258
V6-110RG/132RP-T4	110	225	215	323	132	265	260	312
V6-132RG/160RP-T4	132	265	260	390	160	310	305	366
V6-160RG/185RP-T4	160	310	305	458	185	355	350	420
V6-185RG/200RP-T4	185	355	350	525	200	385	380	456
V6-200RG/220RP-T4	200	385	380	570	220	430	425	510
V6-220RG/250RP-T4	220	430	425	638	250	485	480	576
V6-250RG/280RP-T4	250	485	480	720	280	545	530	636
V6-280RG/315RP-T4	280	545	530	795	315	610	600	720
V6-315RG/350RP-T4	315	610	600	900	350	665	650	780
V6-350RG-T4	350	665	650	975	350	665	650	780
V6-400RG-T4	400	785	725	1088	400	785	725	870
V6-500RG-T4	500	885	860	1290	500	885	860	1032

Basic Wiring Diagram:



(a) Basic wiring diagram of 11kW and below

Factory Photos:

BAIZA



❖ Baiza designs and manufactures its products at China which is equipped with Automated production line imported from Germany and has had an active presence in the industry over the past decade.



9920192438,7709504444



baiza.automation@gmail.com



<http://www.baizaautomation.com>



Baiza Automation

Power One 404,Pingle Wasti,
Mundhawa, Pune. 411036.
MH. India.

BAIZA